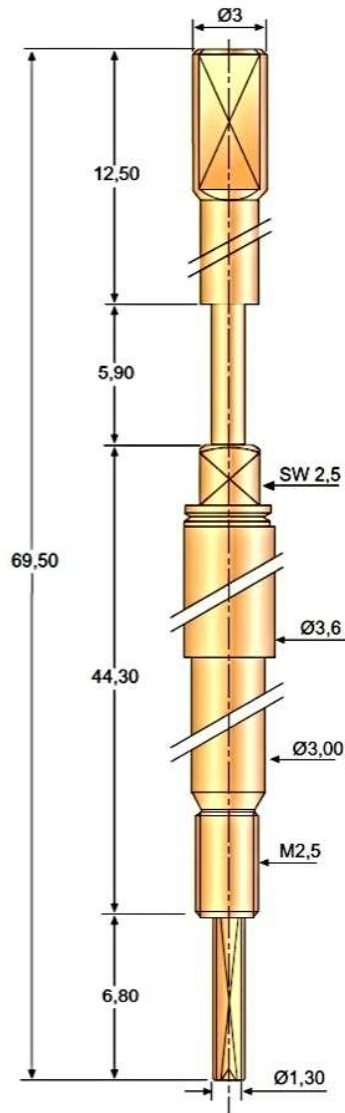


MATERIAL	HEAD	Ø mm
B	8	2,4 3,0 4,0 4,8
B	40	



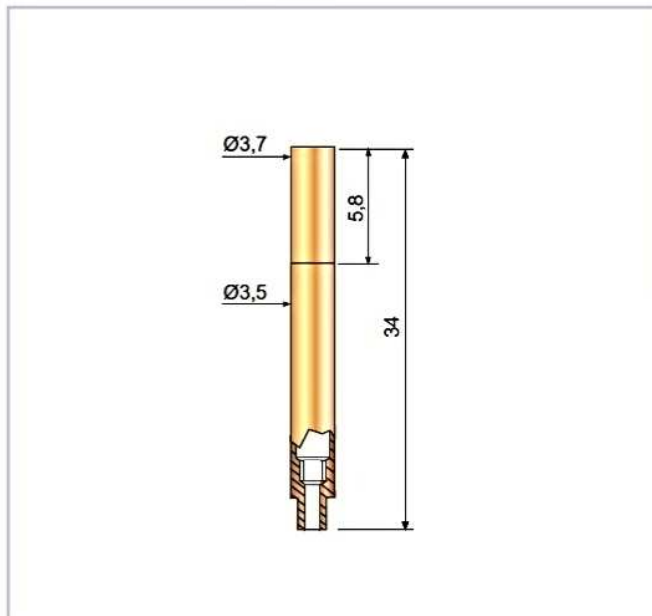
Technical Data

Recommended Minimum Centers:
 Current Rating: 8,0 A
 Typical Contact Resistance: 30 m Ω
 Recommended Working Travel :

Materials

Barrel : Gold plated
 Spring : Music Wire, silver / gold plated
 Plunger : Becu, hardened 24 Kt gold plated

GLR-34 Receptacle



Max Travel : 5,5 mm.
 Spring Force : 300 gr.
 Preload : 50 gr.
 Options :

Drills:

Ø ...

GLR-34	
--------	--

C = Crimp
 S = Saldare
 W = Wire wrap
 WW = With wire